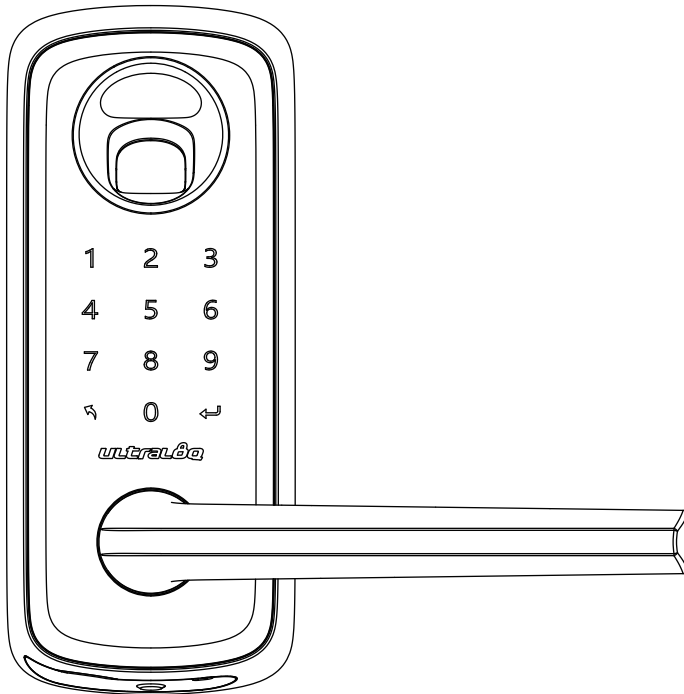




UltraIQ Lever

Fingerprint and Touchscreen Smart Lock

Installation and Programming Guide (v1.1)



ultraIQ

Important Notes

- Ultraloq Lever is designed for single-hole doors, doors without a deadbolt.
- Do not use a power drill for installation.
- Install and test the lock with the door open to avoid being locked out.
- Please read all the instructions before contacting customer support.
- Please contact customer support before returning the product to the store.
- DO NOT install the batteries before installing the lock!
- Follow the instructions in sequential order!
- If you have previously installed this lock on another door, you must perform a Factory Default Reset FIRST! See the User Guide for more information.
- This lock is designed for the following operating temperatures:
 - External Assembly: -4 °F ~ 149 °F (-20 °C ~ 65 °C)
 - Internal Assembly: 14 °F ~ 131 °F (-10 °C ~ 55 °C)
- You must use AA Alkaline Batteries, don't use Lithium or Rechargeable Batteries.

Ultraloq Terms & Policies

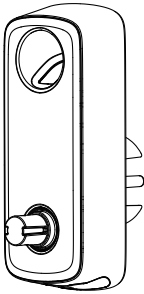
Before using all Ultraloq products, please read all applicable terms, rules, policies and usage provisions found at www.u-tec.com/company/privacy. By using your Ultraloq, you agree to be bound by the U-tec Privacy Policy.

Need Help?

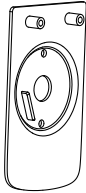
For technical documents and more
Please visit www.u-tec.com/support
Email: support@u-tec.com

Included in the box

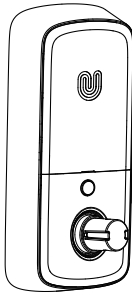
Exterior Assembly



Interior Mounting Plate



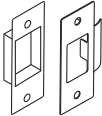
Interior Assembly



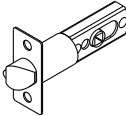
Screwdriver



Strike



Latch



Screw A



Screw B



Screw C



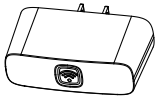
Reset Needle



Backup Keys

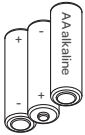


Wi Fi Bridge



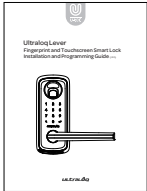
(optional)

AA Batteries

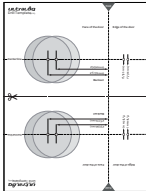


(May not be included for some regions)

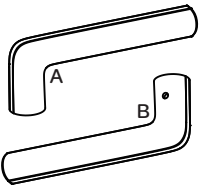
User Guide



Drilling Template



Handle



Installation Guide

Installation Video



Please watch our easy step by step installation video before attempting to install your UltraLoq Lever Fingerprint and Touchscreen Smart Lock.

Or you can also view the website directly.
www.u-tec.com/lock/lever/guide

1. Preparing the Door

Check the door's dimensions.

Step 1

Measure to confirm that the door is between $1\frac{5}{16}$ " - 2" (33 mm-50 mm) thick.

Step 2

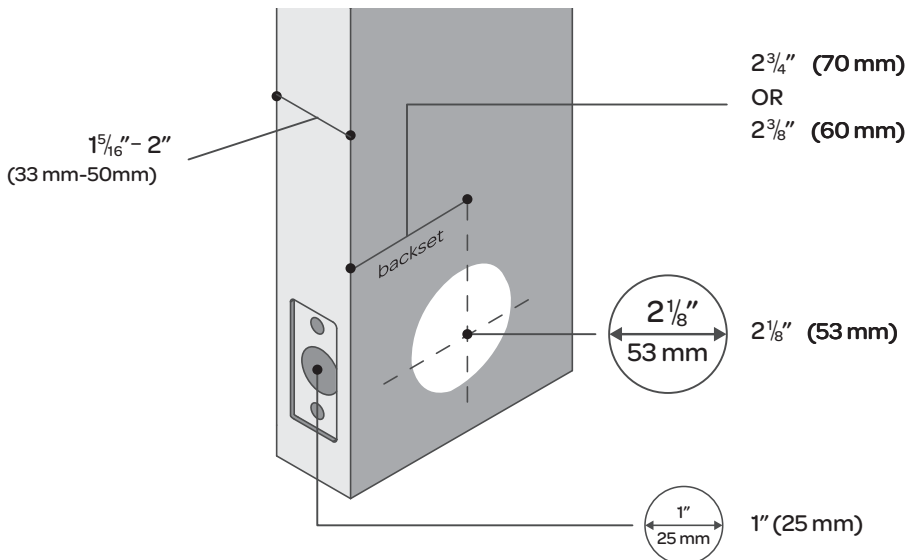
Measure to confirm that the diameter of the hole is $2\frac{1}{8}$ " (53 mm).

Step 3

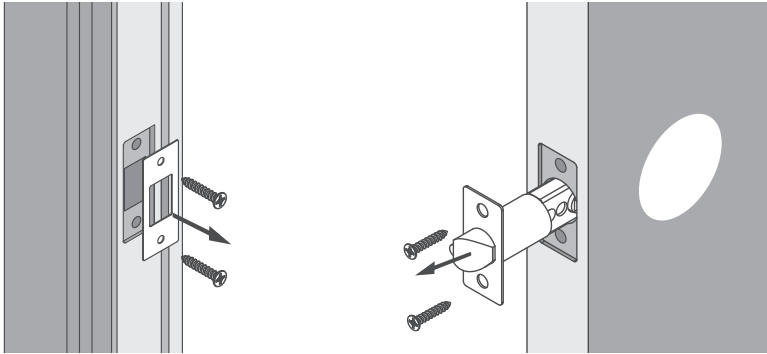
Measure to confirm that the backset is either $2\frac{3}{8}$ " or $2\frac{3}{4}$ " (60 mm or 70 mm).

Step 4

Measure to confirm that the diameter of the hole in the door edge is 1" (25 mm).

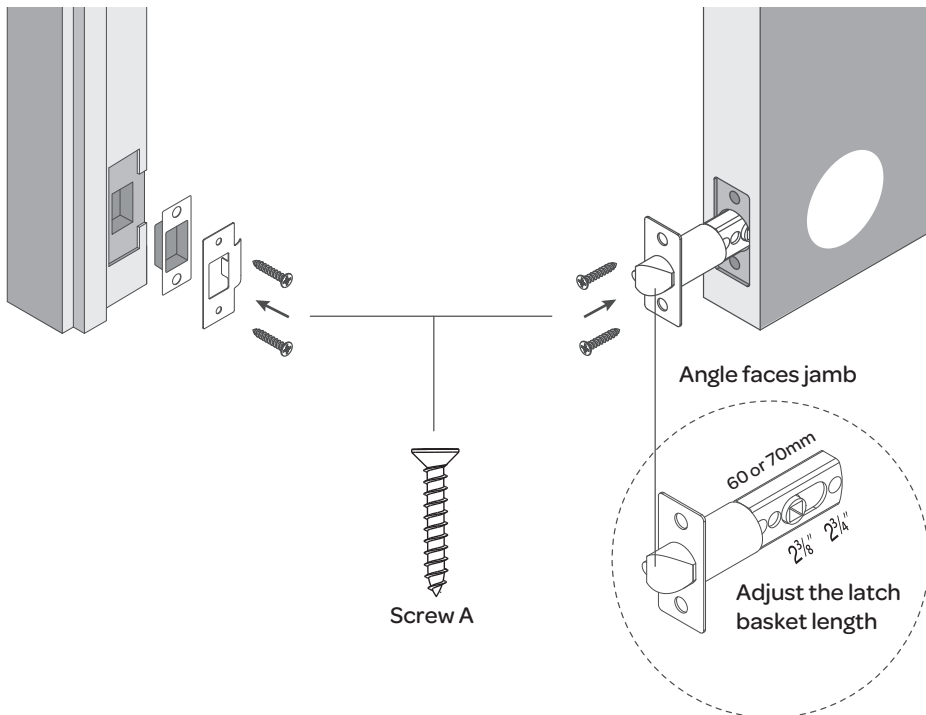


If you are installing your Ultralock on a door with an existing lock, please remove the current strike and latch.



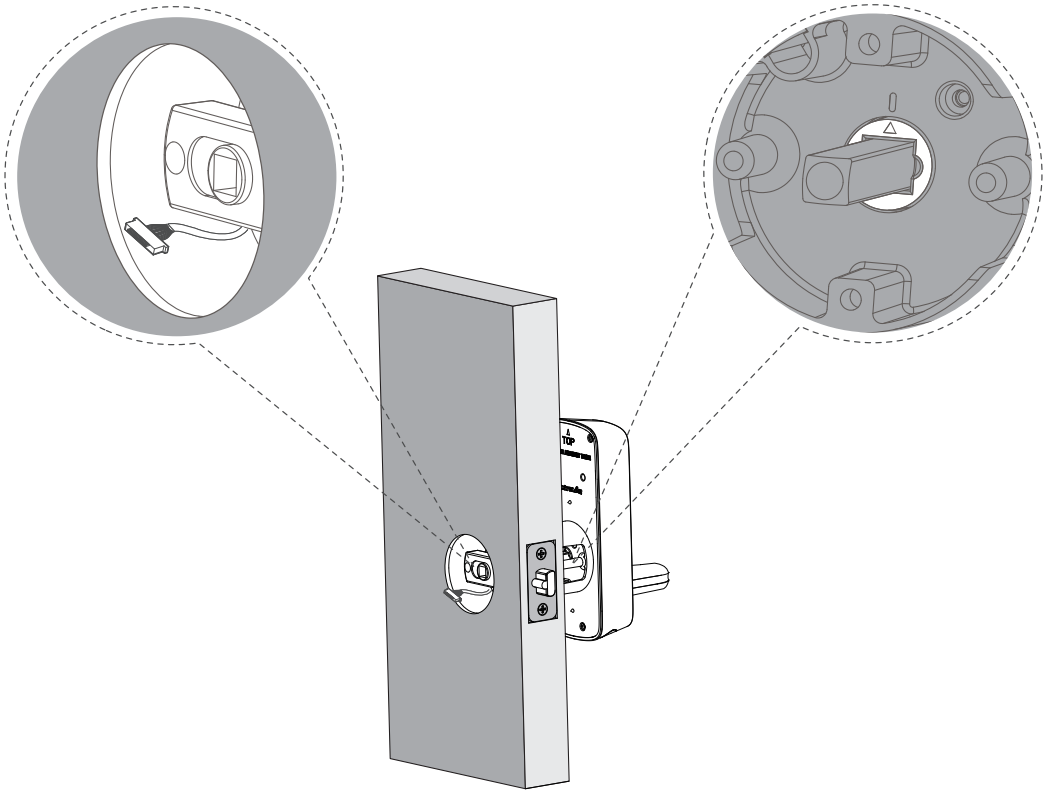
Installing Latch and Strike

1. Install the latch on the door. Make sure the latch angle faces the door jamb.
2. Install the strike on the door frame, ensuring the latch will match the strike.



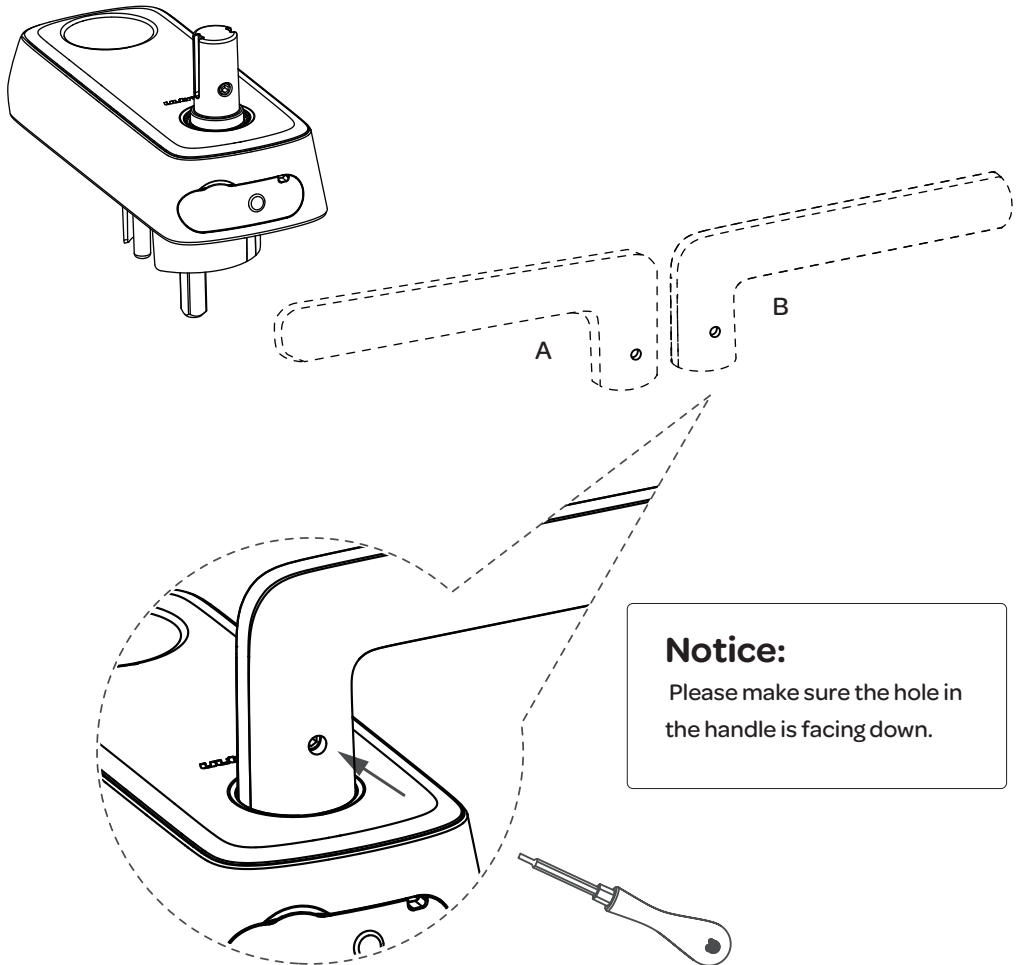
Installing the Exterior Assembly

1. Place the exterior assembly, facing the right direction.
2. The handle should point away from the door's edge. You can change its direction by rotating it.
3. Make sure the triangle is facing upwards as illustrated.
4. Align the spindle with the slot in the latch and slide it into place.
5. Route the cable through the hole above the latch.



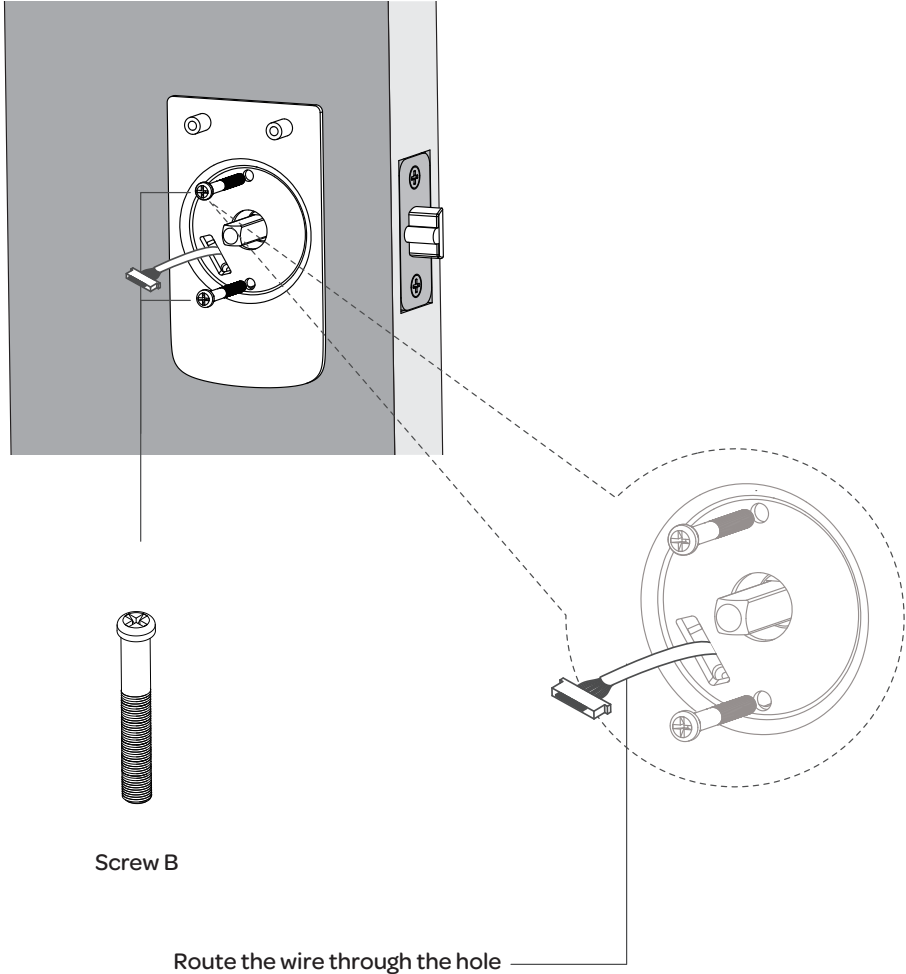
Installing the Handles

1. Place the handle onto the handle post. The handle should point away from the door's edge.
2. With the handle placed on its position, insert the screwdriver into the hole of the handle and turn the screwdriver counterclockwise all the way to secure it.
3. If the handles are installed in the wrong direction, you need to remove and re-install them. To remove them, insert the screwdriver into the hole in the handle, rotate it clockwise until you can pull the handle out, then follow the instructions and re-install them in the right direction.



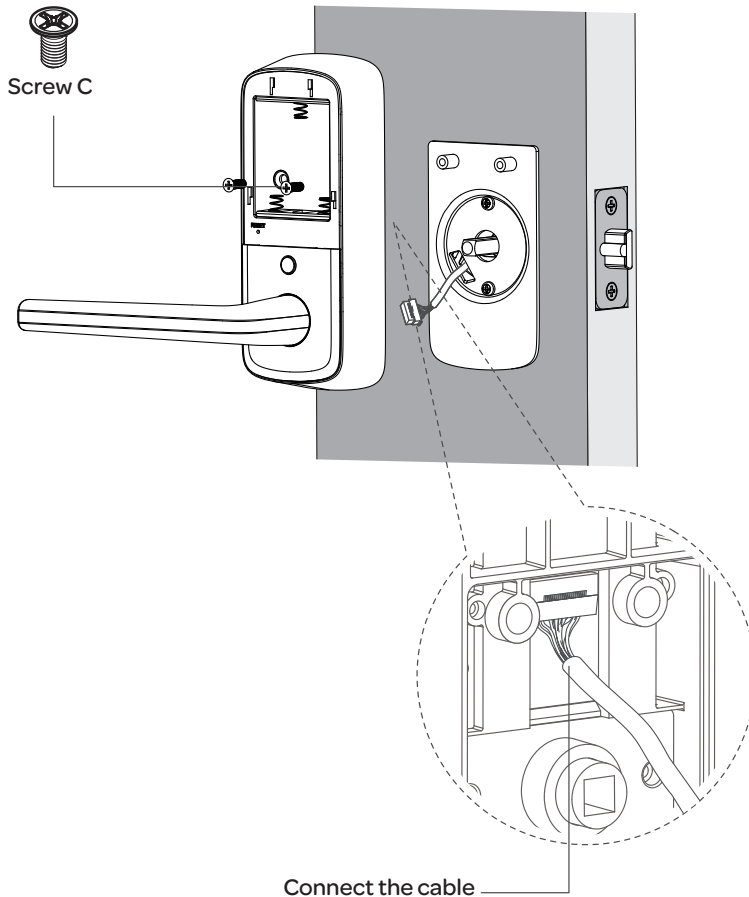
Installing the Interior Mounting Plate

1. Route the cable through the rectangular hole. The spindle goes through the circular hole.
2. Install the interior mounting plate, make sure the Screw Holes are in the upper part.
3. Secure it to the exterior assembly using screws B.



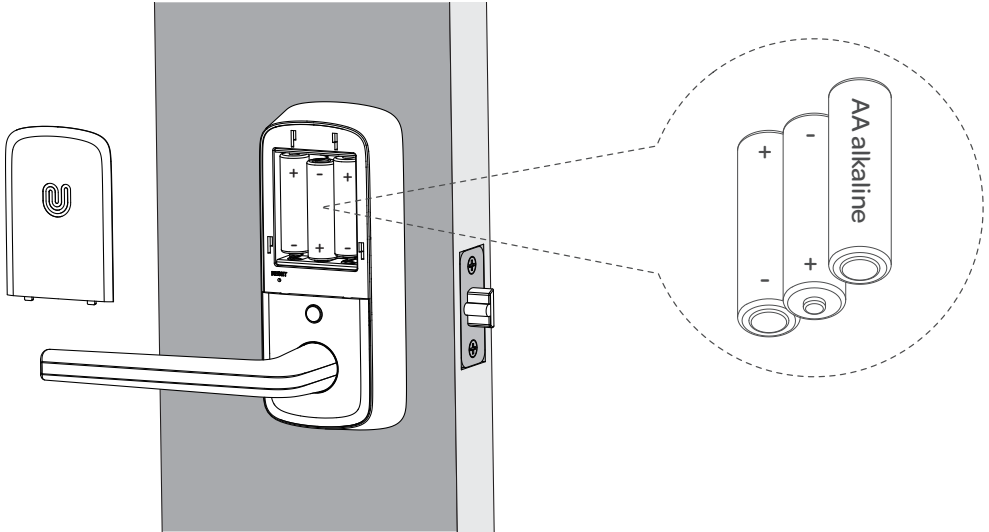
Installing the Interior Assembly

1. Orient the handle the same way as the outside handle, pointing away from the door's edge.
2. Attach the cable to the connector on the interior assembly, line up the notches on the cable to the slots on the interior assembly. Press the connector firmly until it is completely seated.
3. Align the spindle and insert it into the hole of the interior assembly.
4. Secure the interior assembly using screws C.



Installing the Batteries

1. Insert 3 AA alkaline batteries.
2. Install the battery cover.



Testing the Lock

Note:

Please test the lock with the door open to avoid being locked out. Any fingerprint or code can unlock Ultraloq Lever in factory default mode.

1. Input any code or fingerprint, the LED light of the Ultraloq Lever should turn green.
2. Turn the handle down, the latch should retract smoothly, if it doesn't please follow the instructions carefully and repeat the installation.

Operation Video

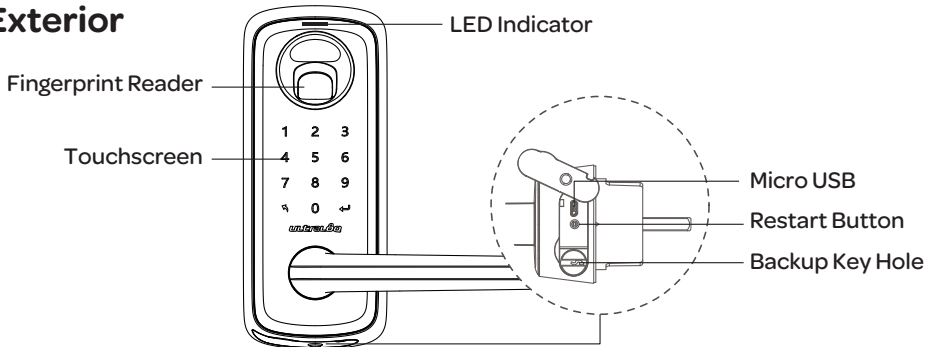


www.u-tec.com/lock/lever/guide

Please watch our programming and user guide video before attempting to use your UltraIQ Lever Fingerprint and Touchscreen Smart Lock.

1. Lock Parts

1.1 Exterior



LED Indicator

Shows you authorized or denied access, and battery status.

Touchscreen

Used to enter the code and unlock from outside.

Fingerprint Reader

Used to press the finger and unlock from outside.

Backup Key Hole

Used to insert the key to unlock from outside.

Restart Button

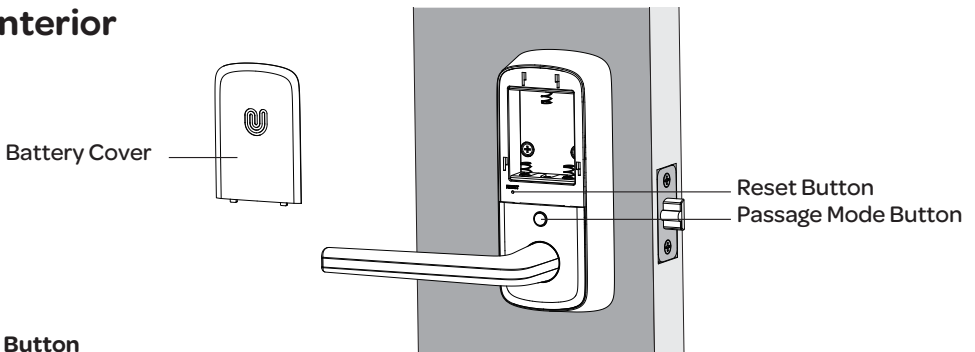
Used to restart the process if the lock activation fails.

Micro USB

Used to connect a power bank to activate the lock when the battery runs out.

0 - 9 Numbers **↶** Back **↵** Enter

1.2 Interior



Reset Button

Used to reset the lock to factory default settings.

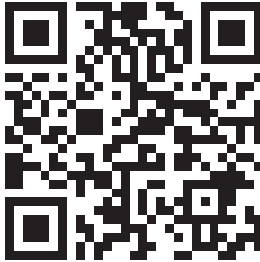
Battery Cover

Used to cover the battery and product label.

Passage Mode Button

Press the button for 3 seconds to enable or disable Passage Mode.

2. Lock Setup



Scan the QR Code to download the U-tec App



Step 1

Scan the above QR code to download the App, or search "U-tec" in App Store (iOS) and Google Play (Android).

Step 2

Open the App, register your U-tec account and log in the account.

Step 3

Make sure the lock is in **Factory Default Mode**. Turn on the Bluetooth on your smartphone, stay near the lock (within 10 feet / 3 meters) and search the lock in the App.

Step 4

Pair the lock in the App and start using it.

Note: Please refer to the guide on the U-tec App for more information.

DON'T WANT TO USE THE APP?

Please go to page 16 for programming guide for Standalone Mode.

3. Using Your Lock

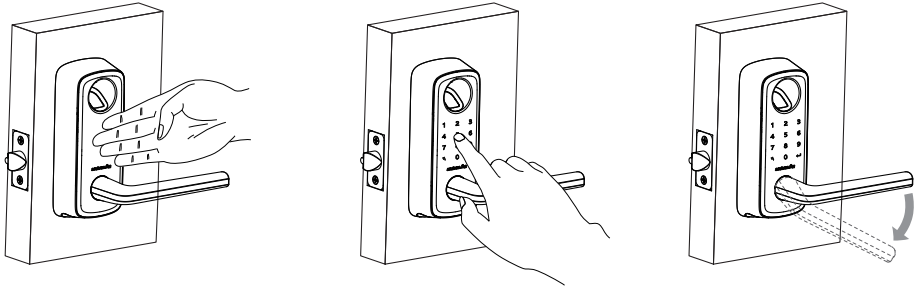
3.1 Open the door from outside

① User PIN code

Step 1. Touch the lock with the back of your hand to activate the lock

Step 2. Enter the 4-8 digit code and press the , the LED will turn green if the code is correct.

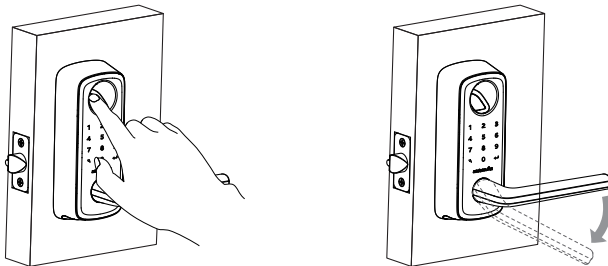
Step 3. Turn down the handle to open the door.



② Fingerprint

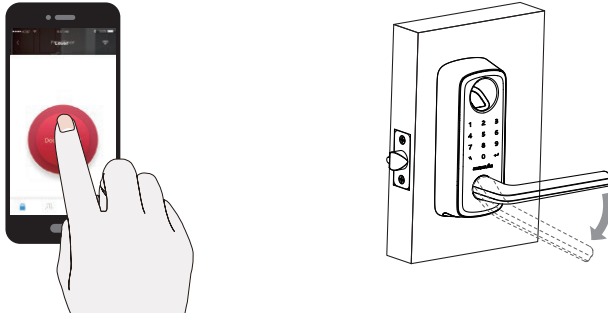
Step 1. Place your finger on the Fingerprint Reader to unlock, the LED will turn green if the fingerprint is correct.

Step 2. Turn down the handle to open the door.



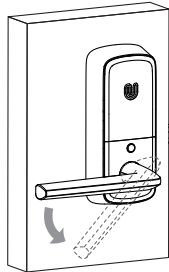
③ Smartphone

Use your smartphone to unlock. Please refer to the guide in the U-tec App.



3.2 Open the door from inside

Turn down the handle to open the door.



3.3 Lock from outside

Close the door and the latch will automatically lock. You can enable the Auto Lock time feature in the U-tec App.

3.4 Reset the Lock

Note: All data will be erased if you reset UltraLoq Lever to factory default settings.

Step 1. Remove the Battery Cover.

Step 2. Use the Reset Needle and press the Reset Button for 3 seconds until you hear the voice message "Initialization Completed."

Step 3. If the UltraLoq Lever is paired with the U-tec App, you must tap "Delete" from the Advanced tab in the Settings section of the lock.

3.5 Replace the batteries

- When you activate the lock and listen to the message “Low battery”, you should replace the batteries.
- Use 3 high-quality alkaline AA batteries for replacement.

Note:

Lithium batteries may have a longer life, but when they begin to fail, they fail quickly. We don't recommend them because they don't give you a lot of time to change your batteries before the lock is completely dead.
Please don't use any Rechargeable Battery.

3.6 Emergency Key Override

- Emergency Key Override can be used when the battery is dead.
- Pull the rubber button cover under the exterior assembly, you will see the Backup Key Hole inside. Insert and rotate the key, then turn the handle down to unlock.

Important Note :

Please keep at least one key in secure location outside of your place.

3.7 Vague Code

Ultraoq Lever supports up to 16-digit Vague Code. Just enter any 16-digit code, as long as a correct code is included in what you entered, you can open the door.

Example

User Code: 123456

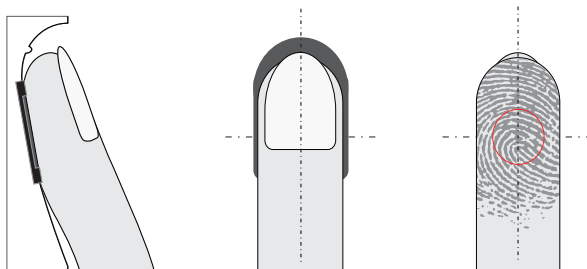
Vague Code Method

1: 1 2 3 4 5 6 X X X X X X

2: X X X X X X 1 2 3 4 5 6

3: X X X 1 2 3 4 5 6 X X X

3.8 Finger Placement



1. Your finger should cover the reader completely with some pressure, touching the whole reading area.
2. Make sure that your finger and the fingerprint reader are clean and dry, please note that wet, oily, injured, peeled or dirty fingers may affect the fingerprint identification.
3. To clean the fingerprint reader, use a clean microfiber cloth to wipe off any dirt or debris.
4. While scanning your finger, you shouldn't tap too quickly or move your finger around.
5. In case of low recognition rate, please delete the original registered fingerprint and register it again.

3.9 Lock Status

Normal Mode

It's the default mode, user must use the code, App access verification or scan the fingerprint to unlock the Ultraloq Lever from outside.

Passage Mode

The Ultraloq Lever will stay unlocked for convenient free passage. Press the button for 3 seconds to enable or disable passage mode.

Lockout Mode

The Ultraloq Lever can only be operated manually by the backup Key. All electrical features are turned off and only an Admin can disable it.

3.10 Owner, Admin and User

- The Owner is the person who owns the Ultraloq Lever and registers it in U-tec App originally, the Owner has all the privileges.
- The Admin can always unlock via fingerprint, code or App. Admin can add or delete other Admins and Users, control all lock settings and view logs.
- The Normal User can always unlock via fingerprint, code or App.
- The Temporary User has limited access within a specific time range.

4. Standalone Mode Programming Guide




It is recommended to use the U-tec App to program your lock. If you don't have a smartphone or don't want to use the App, you may follow the programming instructions below.

Warning





Standalone Mode is NOT available after the lock is registered in App! Please reset the lock to Factory Default Mode first to program your lock in Standalone Mode.

4.1 Create an Owner



Creating the Owner must be the first step prior to any other programming. Only one Owner is available.

Operation	Voice Message
Activate the Lock	Factory Default Mode, please set up the lock with your smartphone
Press and hold  for 3 sec	Please enter a 4-8 digit admin code and press the Enter key to continue
Enter a 4-8 Digit Code then 	Please enter your code again and press the Enter key to continue
Re-enter the Digit Code then 	Registered

4.2 Add a Normal User Code

Operation	Voice Message
Activate the Lock, press and hold  for 3 sec	Please enter a 4-8 digit admin code and press the Enter key to continue
↓	
Enter code from Admin then 	Please register your fingerprint or the 4-8 digit User Code and press the Enter key to continue
↓	
Enter a 4-8 Digit Code then 	Please enter your code again and press the Enter key to continue
↓	
Re-enter the Digit Code then 	Registered, Please press the Enter key to continue registration or press the Back key to exit

4.3 Add a Normal User Fingerprint

Operation	Voice Message
Activate the Lock, press and hold  for 3 sec	Please enter a 4-8 digit admin code and press the Enter key to continue
↓	
Enter code from Admin then 	Please register your fingerprint or the 4-8 digit User Code and press the Enter key to continue
↓	
Place and lift your finger covering the whole area of the reader for 6 times	Please place your finger again
↓	
Registered, Please press the Enter key to continue registration or press the Back key to exit.	

4.4 Change the Language

Operation	Voice Message
Activate the Lock, press and hold 1 for 3 sec	Language Change to Spanish



ultralq

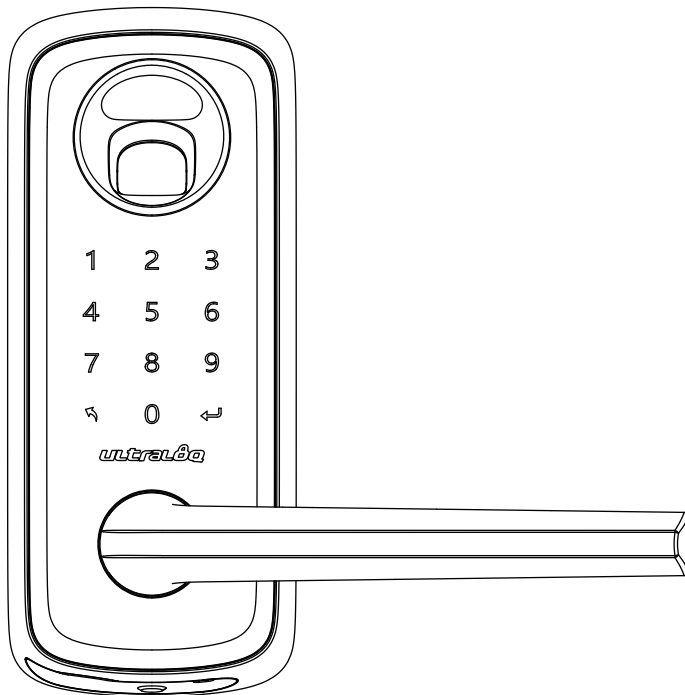
© 2019 U-tec Group Inc.

U-tec and Ultraloq brands and products are trademarked and protected under the law in the United States.
Unauthorized use is prohibited. Ultraloq is a sub-brand of U-tec Group Inc.



UltraLoq Lever

Cerradura Biométrica Inteligente con Lector de Huella Digital y Pantalla Táctil (v1.1)



ultraLoq

Notas Importantes

- Ultraloq Lever está diseñado para usarse en puertas con un solo orificio, puertas sin cerrojo.
- No utilices un taladro eléctrico para la instalación.
- Instala y prueba la cerradura con la puerta abierta para evitar inconvenientes.
- Por favor lee todas las instrucciones antes de contactar a Servicio a Cliente.
- Contacta a Servicio a Cliente antes de devolver el producto a la tienda.
- No coloques las pilas antes de instalar la cerradura.
- Sigue las instrucciones en orden secuencial.
- Si has instalado previamente esta cerradura en otra puerta, deberás resetearla al modo predeterminado de fábrica. Consulta la Guía de Usuario para más información.
- Esta cerradura está diseñada para usarse en las siguientes temperaturas:
 - Ensamble Exterior: -4° F ~ 149° F (-20° C ~ 65° C)
 - Ensamble Interior: 14° F ~ 131° F (-10° C ~ 55° C)
- Por favor utiliza baterías alcalinas AA. NO utilizar baterías recargables o baterías de litio.

Términos y políticas de Ultraloq

Antes de usar todos los productos Ultraloq, lea todos los términos, reglas, políticas y disposiciones de uso aplicables que se encuentran en www.u-tec.com/company/privacy. Al usar tu Ultraloq, aceptas ser obligado por la Política de privacidad de U-tec.

¿Necesitas ayuda?

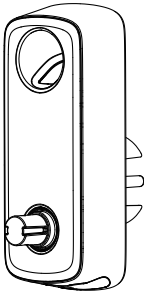
Para consultar documentos técnicos visita

www.u-tec.com/support

Email: support@u-tec.com

Dentro de la caja

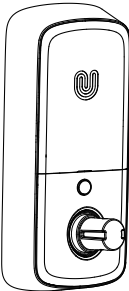
Ensamble Exterior



Placa de Montaje Interior



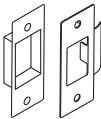
Ensamble Interior



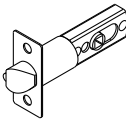
Desarmador



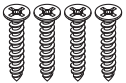
Contrachapa



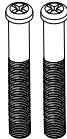
Pestillo



Tornillos A



Tornillos B



Tornillos C



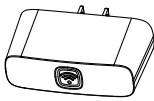
Clip de Reseteo



Llaves de respaldo

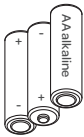


Wi Fi Bridge



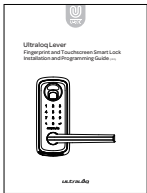
(opcional)

Baterías AA

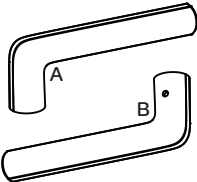
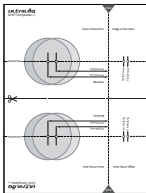


(Pueden no estar incluidas en algunos países)

Guía de Usuario



Plantilla de perforación



Guía de Instalación

Video de Instalación



Por favor mira nuestro video instructivo paso por paso antes de instalar tu UltraLoq Lever con huella digital y pantalla táctil.

Tambien puedes ingresar al sitio web directamente
www.u-tec.com/lock/lever/guide

1. Preparando la puerta

Revisa las dimensiones de la puerta:

Paso 1

Mide para confirmar que la puerta tiene un ancho entre $1\frac{5}{16}''$ - $2''$ (33 mm-50 mm).

Paso 2

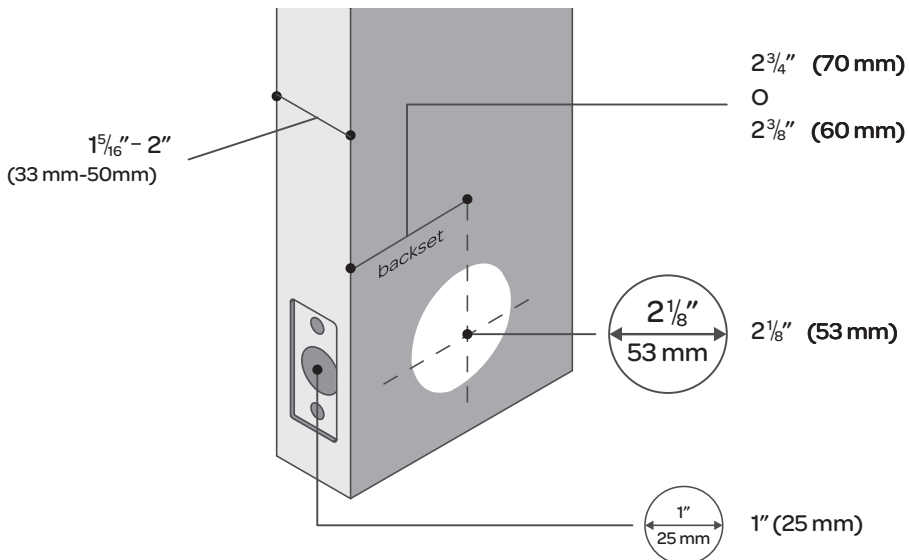
Mida para confirmar que el diámetro del agujero donde va colocada la cerradura es de $2\frac{1}{8}''$ (53 mm).

Paso 3

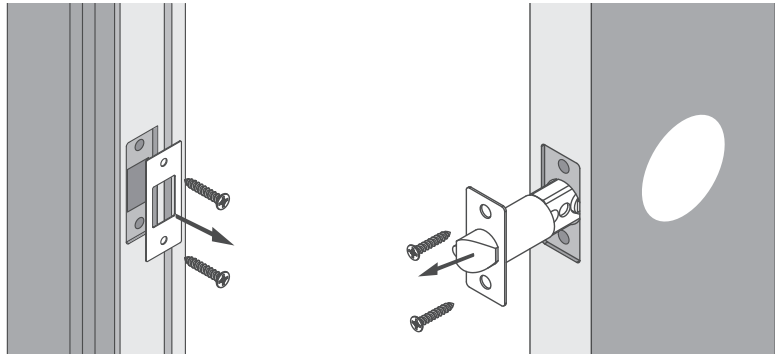
Mide para confirmar que el Backset de la puerta es de $2\frac{3}{8}''$ or $2\frac{3}{4}''$ (60 mm o 70 mm).

Paso 4

Mide para confirmar que el diámetro del agujero en el borde de la puerta es de $1''$ (25 mm).

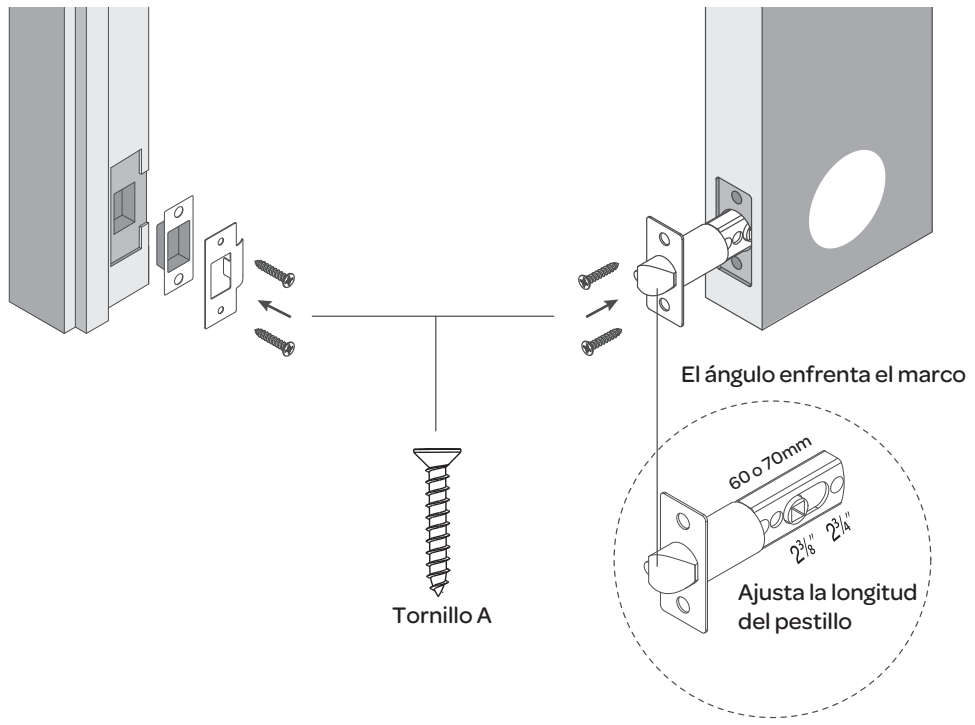


Si estás instalando tu UltraLoq Lever en una puerta que ya cuenta con una cerradura, por favor quítala junto con el pestillo y la contrachapa.



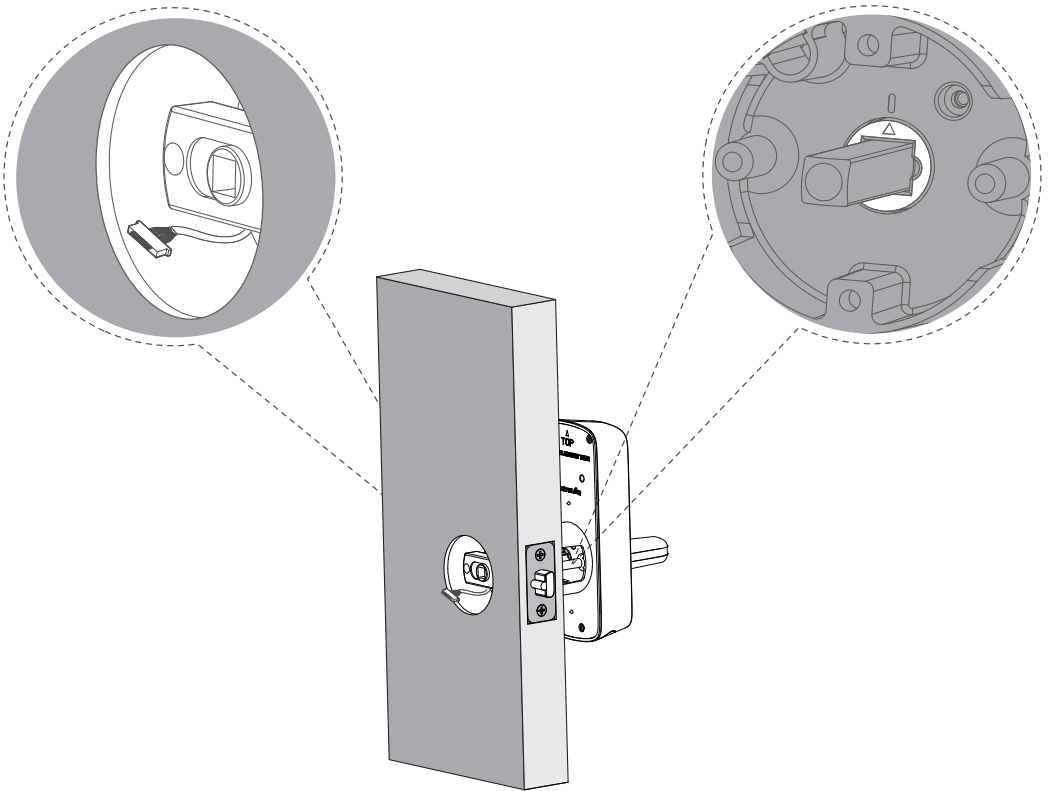
Instalación del Pestillo y Contrachapa

- 1. Instala el pestillo en la puerta. Ten en cuenta que el ángulo del mismo enfrente al marco de la puerta.
- 2. Instala la contrachapa en el marco de la puerta, teniendo en cuenta que el pestillo quede centrado.



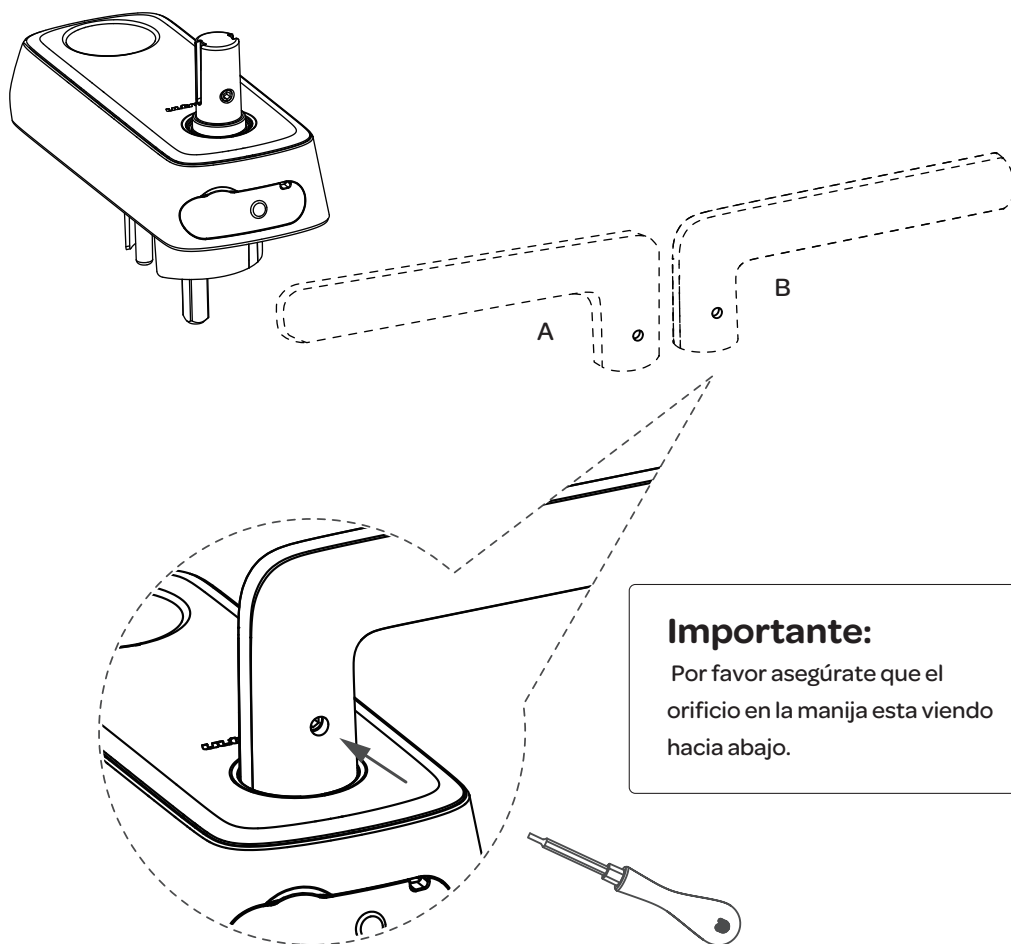
Instalación del Ensamble Exterior

1. Instala el ensamble exterior, asegurándote que va en la posición correcta.
2. La manija tiene que apuntar hacia afuera del borde de la puerta. Puedes cambiar la dirección de la manija girándola hacia un lado o el otro.
3. Asegúrate de que el triángulo está hacia arriba como en la ilustración.
4. Alinea el eje con la ranura en el pestillo y deslízalo en su lugar.
5. Pasa el cable por el agujero arriba del pestillo



Instalación las manijas

1. Coloque las manijas en los postes de la manija, la manija debe apuntar lejos del borde de la puerta.
2. Con la manija colocada en su posición, inserte el destornillador en el orificio de la manija y gire el destornillador en sentido contrario a las manecillas del reloj hasta asegurarla.
3. Si las manijas se instalaron en la dirección incorrecta, debe quitarlas y volver a instalarlas. Para quitarlas, inserte el destornillador en el orificio de la manija y gírelo en el sentido de las manecillas del reloj hasta que pueda sacar la manija luego siga las instrucciones para instalarlos en la dirección correcta.

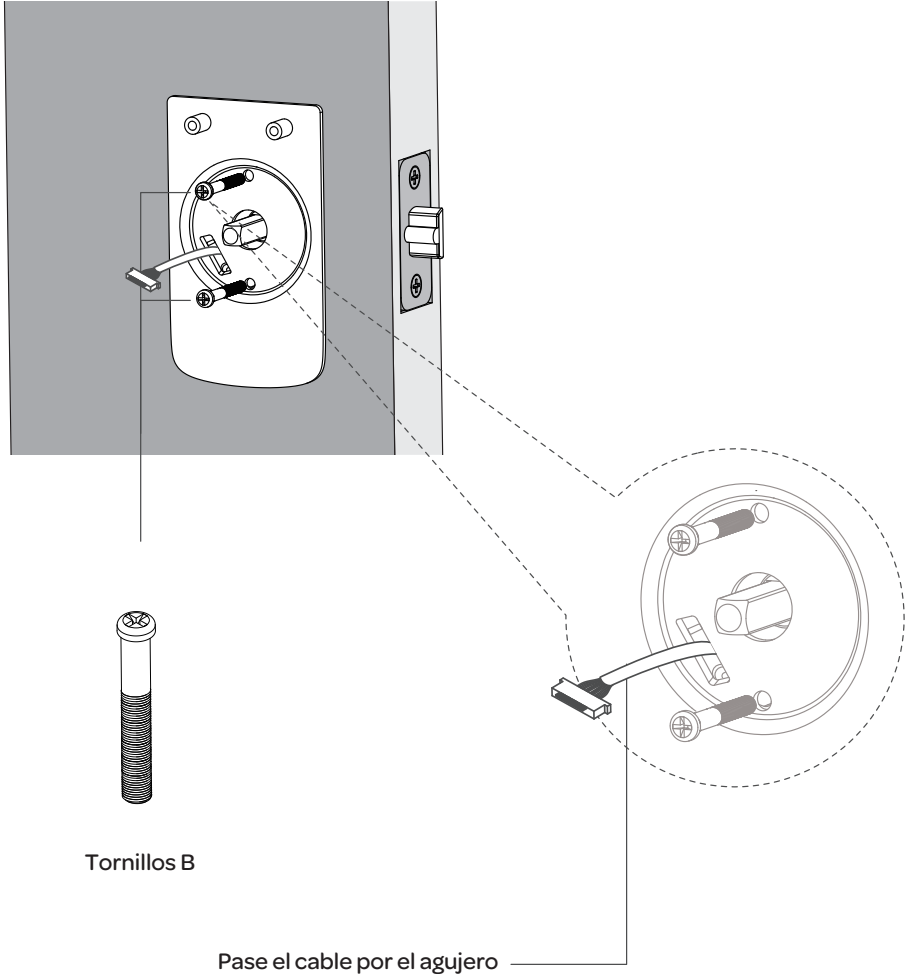


Importante:

Por favor asegúrate que el orificio en la manija esta viendo hacia abajo.

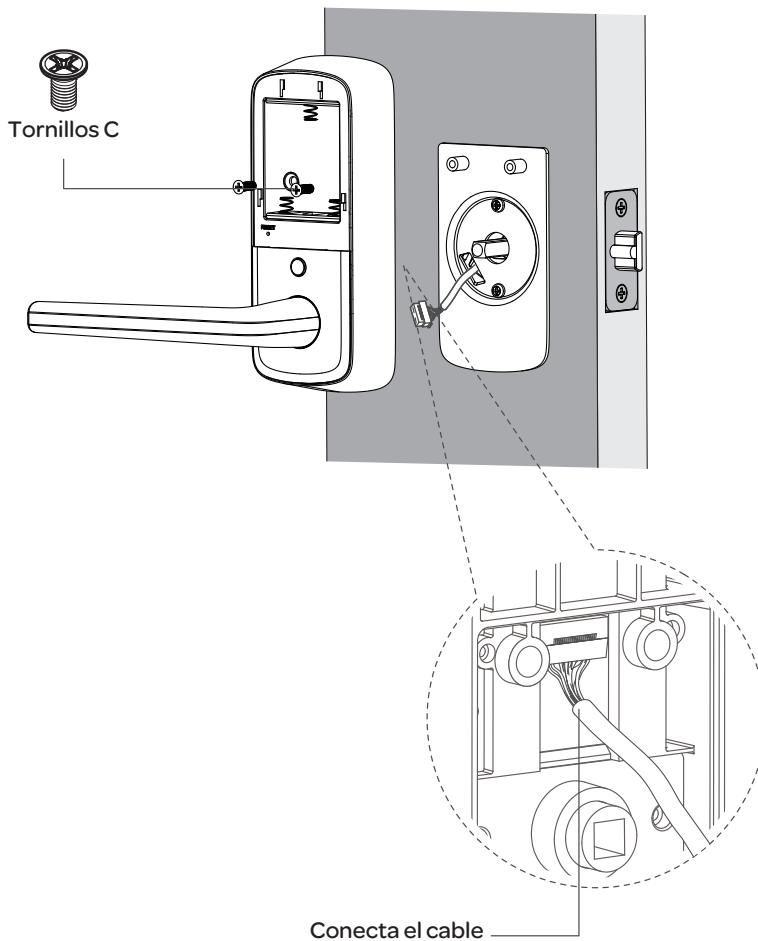
Instalación de la Placa de Montaje Interior

1. Pasa el cable por el orificio rectangular, el eje pasa por el orificio circular.
2. Instala la Placa de Montaje Interior. Asegúrate que los orificios de los tornillos estén en la parte superior.
3. Asegúrala al conjunto exterior utilizando los tornillos B.



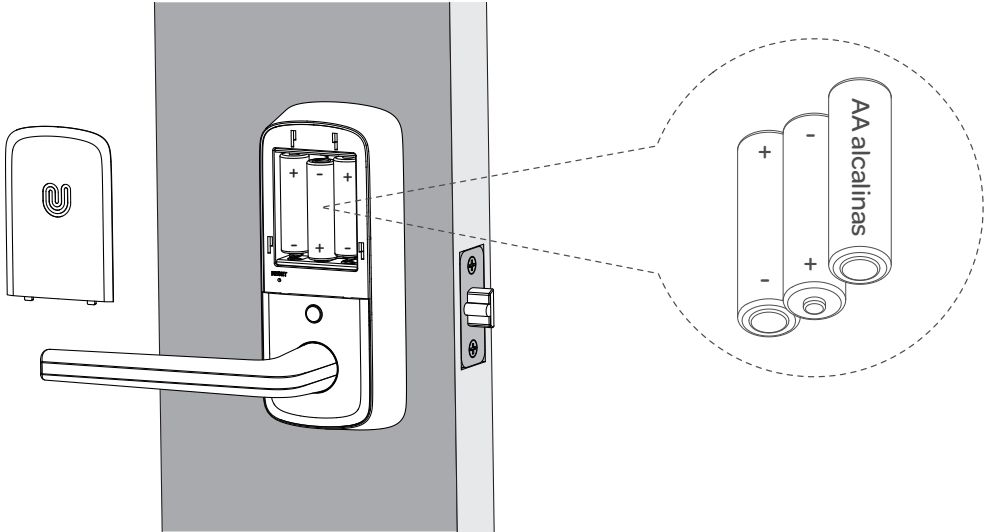
Instalación del Ensamble Interior

1. Orienta la manija de la misma manera que la manija exterior, apuntando hacia afuera del borde de la puerta.
2. Conecta el cable al conector en el ensamble interior alineando las muescas del cable a las ranuras en el conjunto interior. Presiona firmemente el conector hasta que esté completamente asentado.
3. Alinea el eje en el orificio del Ensamble Interior.
4. Fija el Ensamble Interior con los tornillos C.



Instalación de las baterías

1. Coloca tres baterías alcalinas AA.
2. Instala la tapa.



Prueba de la cerradura

Nota:

Prueba la cerradura con la puerta abierta para evitar cualquier problema. Cualquier huella digital o código puede desbloquear Ultraloq Lever en modo predeterminado de fábrica.

1. Ingresa cualquier código o huella digital, la luz LED del Ultraloq Lever debe ponerse verde.
2. Gira la manija hacia abajo, el pestillo debe retraerse suavemente y podrás abrir la puerta. Si no puedes abrir la puerta por favor sigue las instrucciones con cuidado y repite la instalación.

Video de Operación

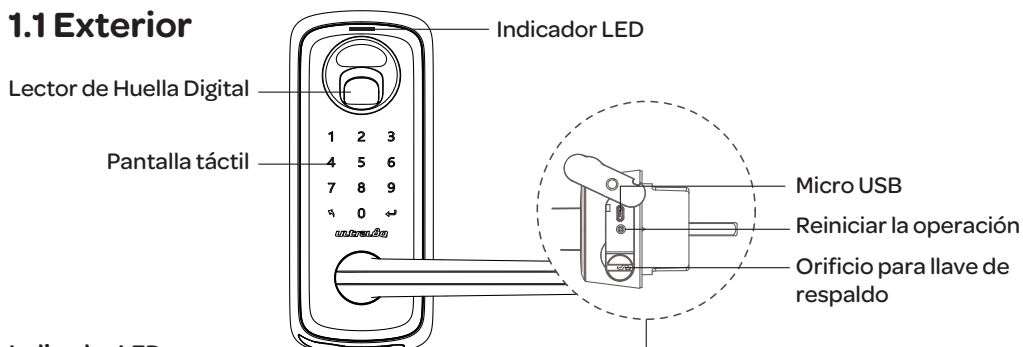


www.u-tec.com/lock/lever/guide

Por favor escanea el Código QR para ver nuestro video de operación antes de usar tu Ultraloq Lever con Huella Digital y Pantalla Táctil en Modo Independiente.

1. Partes de la cerradura

1.1 Exterior



Indicador LED

Te muestra accesos autorizados o denegados y el estado de la batería.

Pantalla táctil

Usada para ingresar el código y desbloquear la cerradura desde afuera.

Lector de huella

Usado para leer la huella digital y desbloquear la cerradura desde afuera.

Llave de respaldo

En este lugar deberás ingresar la llave de emergencia en caso de ser necesaria.

Botón de reinicio

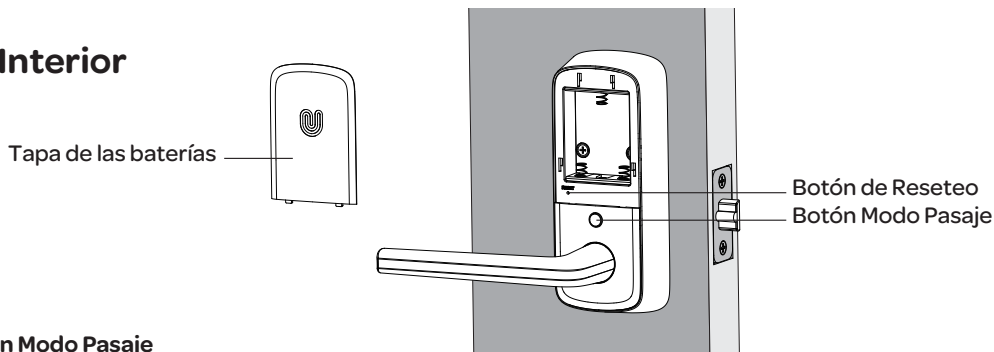
Se utiliza para reiniciar la cerradura si la activación falla.

Micro USB

Se utiliza para conectar una batería externa en caso de que las pilas se hayan agotado.

0 - 9 | Números ↶ | Atrás ↵ | Enter

1.2 Interior



Botón Modo Pasaje

Presiona el botón por 3 segundos y el Ultraloq Lever permanecerá desbloqueado para un cómodo pasaje libre.

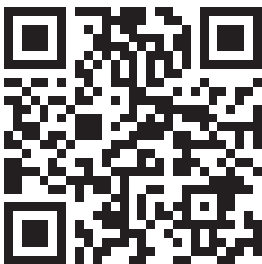
Botón de reseteo

Se utiliza para restablecer la cerradura a la configuración predeterminada de fábrica.

Tapa de las baterías

Se utiliza para cubrir las baterías y la etiqueta del producto.

2. Configuración de la Cerradura



Escanea el código QR para descargar la App de U-tec



Paso 1

Escanea el código QR para descargar la App, o busca "U-tec" en App Store (iOS) y Google Play

Paso 2

Abre la App, registra tu cuenta de U-tec e ingresa con ella.

Paso 3

Asegúrate de que la cerradura está en modo predeterminado de fábrica. Enciende el Bluetooth en tu celular inteligente, quédate cerca de la cerradura (dentro de 10 pies/3 metros) y busca la cerradura en la App.

Paso 4

Empareja la cerradura en la App y empieza a usarla.

Nota: Por favor usa la guía en la U-tec App para más información.

¿No quieres usar la APP?

Por favor ve la página 16 para seguir la guía de programación para modo Independiente.

3. Funcionamiento de la Cerradura

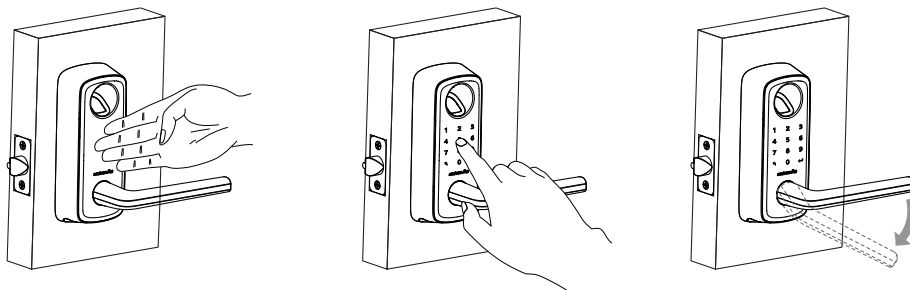
3.1 Abrir la puerta desde afuera

① Código de Usuario

Paso 1. Toca la cerradura con el reverso de la mano o con los dedos para activarla.

Paso 2. Digita el código de 4-8 dígitos para desbloquearla y presiona Enter, la luz LED se prenderá verde si el código es correcto.

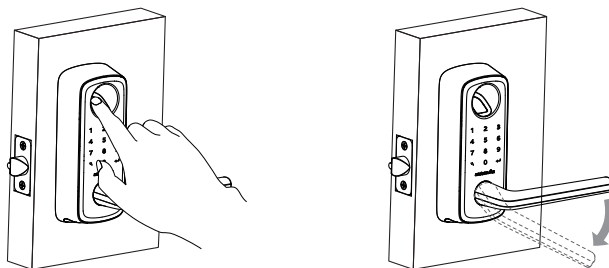
Paso 3. Rota la manija para abrir la puerta.



② Huella Digital

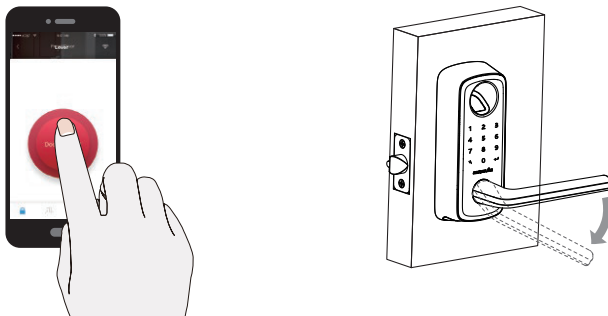
Paso 1. Presiona el dedo en el lector para activar y desbloquear la cerradura, la luz LED se prenderá verde si la huella es correcta.

Paso 2. Rota la manija hacia abajo para abrir la puerta.



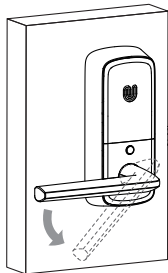
③ Celular Inteligente

Usa tu celular inteligente para desbloquear. Por favor ve a la guía de uso en la App de U-tec.



3.2 Abrir la puerta desde afuera

Rota la manija hacia abajo para abrir la puerta.



3.3 Cerrar desde afuera

Cierra la puerta y el pestillo se bloqueará automáticamente. Puedes habilitar el tiempo de Auto Bloqueo desde la App de U-tec.

3.4 Resetear la cerradura

Nota: todos los datos se borrarán si restableces el UltraLoq Lever a la configuración predeterminada de fábrica.

Paso 1. Retira la tapa de la batería.

Paso 2. Usa la aguja de reinicio y presiona el botón de reinicio durante 3 segundos hasta que escuches el mensaje de voz "Inicialización Exitosa"

Paso 3. Si el UltraLoq Lever está emparejado con la aplicación de U-tec, deberás presionar "Eliminar y Resetear" dentro de los Ajustes de la cerradura, en la pestaña de Avanzado en la App.

3.5 Reemplazo de Baterías

- Cuando actives la cerradura y escuches el mensaje "Batería baja", deberás reemplazar las baterías.
- Usa 3 baterías alcalinas AA de alta calidad para el reemplazo.

Nota:

Las baterías de litio pueden tener una vida útil más larga, pero cuando comienzan a quedarse sin batería, se agotan rápido. U-tec no las recomienda, ya que no tendrás tiempo suficiente para cambiarlas antes de que no puedas activar la cerradura. Por favor no uses baterías recargables.

3.6 Llaves de respaldo

- Las llaves de respaldo se pueden usar cuando la batería está agotada o cuando no haya ningún Código de usuario válido conocido.
- El orificio para la llave está en la parte inferior del ensamble exterior de la cerradura, mueve la cubierta de plástico e inserta la llave y gíra para desbloquearla, al igual que cualquier cerradura.

Nota Importante:

Por favor mantén mínimo una llave de respaldo en un lugar seguro fuera de tu casa.

3.7 Anti espía

El modelo UltraIQ Lever soporta códigos vagos de hasta 16 dígitos. Sólo ingresa cualquier código de 16 dígitos, mientras el código correcto se encuentre incluido dentro de lo que ingresaste, podrás abrir la puerta.

Ejemplo

Código de Usuario: 123456

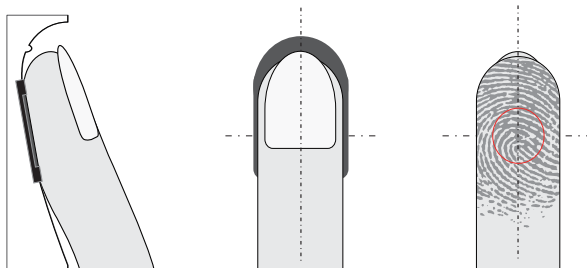
Método Anti Espía

1: 1 2 3 4 5 6 X X X X X X

2: X X X X X X 1 2 3 4 5 6

3: X X X 1 2 3 4 5 6 X X X

3.8 Posición del dedo



1. Tu dedo debe cubrir el lector completamente con algo de presión, tocando toda la zona lectura.
2. Asegúrate de que tu dedo y el lector de huellas estén limpios y secos, ten en cuenta que los dedos mojados, grasosos, pelados o sucios pueden afectar la identificación de las huellas digitales.
3. Para limpiar el lector de huellas digitales, usa un paño de microfibra limpio para limpiar la suciedad o los residuos.
4. Mientras se escanea el dedo, no debes presionar demasiado rápido ni mover el dedo.
5. En caso de baja tasa de reconocimiento, elimina la huella digital registrada originalmente y regístrala nuevamente.

3.9 Estado de la cerradura

Modo normal

Es el modo predeterminado, el usuario debe usar el código, la verificación de acceso a la aplicación o escanear la huella digital para desbloquear el UltraLoq Lever desde el exterior.

Modo de pasaje

El UltraLoq Lever permanecerá desbloqueado para un cómodo pasaje libre. Presiona el botón por 3 segundos y el UltraLoq Lever permanecerá desbloqueado para un cómodo pasaje libre.

Modo de bloqueo

El UltraLoq Lever solo puede operarse manualmente con la llave de respaldo. Todas las características eléctricas están apagadas y solo un administrador puede deshabilitarlo.

3.10 Propietario, Admin, Usuario

- El propietario es la persona que posee el UltraLoq Lever y lo registra en la aplicación U-tec originalmente, el propietario tiene todos los privilegios.
- El administrador siempre puede desbloquear a través de huella digital, código o aplicación. El administrador puede agregar o eliminar a otros Administradores y usuarios, controlan todas las configuraciones de la cerradura y visualizan los registros.
- El usuario normal siempre puede desbloquear mediante huella digital, código o aplicación.
- El usuario temporal tiene acceso limitado dentro de un rango de tiempo específico.

4. Guía de Programación de la cerradura en Modo Independiente




Se recomienda utilizar la aplicación U-tec para programar tu cerradura. Si no tienes un teléfono inteligente o no deseas utilizar la aplicación, puedes seguir las instrucciones de programación a continuación.

Importante





El UltraLoq Lever deberá estar en Modo Predeterminado de Fábrica para poder programarlo por medio de la pantalla táctil.

4.1 Crear un Propietario



La creación del propietario debe ser el primer paso antes de cualquier otra programación. Sólo un propietario está disponible.

Operación	Mensaje de Voz
Activa la cerradura	Modo predeterminado de fábrica. Por favor, configura la cerradura con tu teléfono inteligente
Presiona y mantén  por 3 segundos	Por favor registra el código de administrador de 4 a 8 dígitos y presiona la tecla enter para continuar
Ingresa un código de 4-8 dígitos y después 	Por favor ingresa tu código nuevamente y presiona la tecla Enter para continuar
Re-ingresa el código y después 	Registrado

4.2 Agregar un Usuario Normal

Operación	Mensaje de Voz
Activa la cerradura, presiona  por 3 segundos	Por favor Ingresa el código de administrador de 4 a 8 dígitos y presiona la tecla Enter para continuar
Ingresar la huella o código del Propietario o Admin y después 	Por favor registra el código de administrador de 4 a 8 dígitos y presiona la tecla enter para continuar
Ingresar un código de 4-8 dígitos y después 	Por favor ingresa tu código nuevamente y presiona la tecla Enter para continuar
Re-ingresa el código y después 	Registrado, presiona la tecla Enter para continuar con el registro o presiona la tecla Atrás para salir

4.3 Agregar una huella de un Usuario Normal

Operación	Mensaje de Voz
Activa la cerradura, presiona  por 3 segundos	Por favor Ingresa el código de administrador de 4 a 8 dígitos y presiona la tecla Enter para continua
Ingresar la huella o código del Propietario o Admin y después 	Por favor registra el código de administrador de 4 a 8 dígitos y presiona la tecla enter para continuar
Presiona y levanta tu dedo 6 veces cubriendo toda el área del lector	Por favor, coloca tu dedo de nuevo
Registrado, presiona la tecla Enter para continuar con el registro o presiona la tecla Atrás para salir	

4.4 Cambiar el idioma

Operación	Mensaje de Voz
Activa la cerradura, presiona 1 por 3 segundos	Idioma cambiado a Inglés



ultralq

© 2019 U-tec Group Inc.

Las marcas y los productos de U-tec y Ultraloq están registrados y protegidos bajo la ley en los Estados Unidos.

Queda estrictamente prohibido todo uso no autorizado. Ultraloq es submarca de U-tec Group Inc.